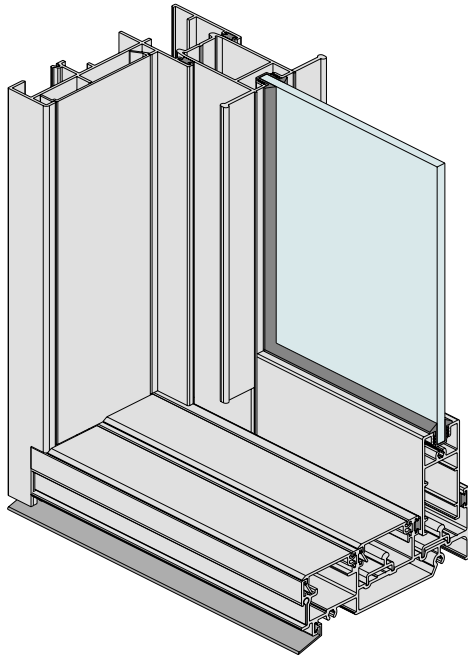
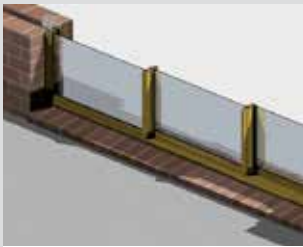


RESIDENTIAL SERIES | SERIES 542  
**D'STACKER™ SLIDING DOOR**

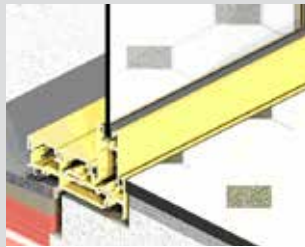


**KEY FEATURES**

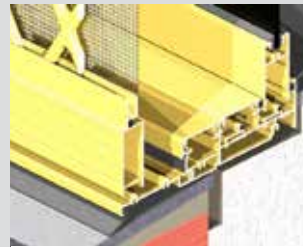
- This door can be fabricated as a multi-panel stacker with a clean flat sill where all unwanted recesses are closed off with snap-on fillers. We have a stacking screen door system to go with the glass doors.
- The 109mm wide perimeter frame will couple to a large variety of Vantage adaptors.
- Flat external fillers create a clean closed off frame appearance. On the sill the infills guide water away from the door panels and improve water resistance.
- A large variety of locks are available including multi-point mortice lock.
- Heavy door panels can be fitted with double bogey wheels for smooth long-term operation. Running rails can be replaced in the future if necessary.
- Compatible flyscreen system with:
  - Heavy duty spring loaded wheels top and bottom.
  - Snap-fit trailing style interlocker.
  - Matching hardware.



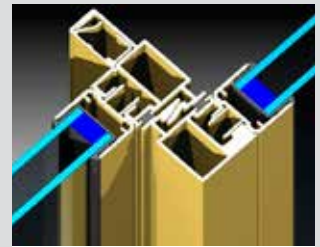
Series 542 D'Stacker™ is designed to be configured as multi-stacking doors up to 3 panels in each direction. Ideal for creating wide residential openings.



Semi and fully recessed sill options available to create seamless transition between internal and external. Semi recessed sill pictured above. Drains must be used with all fully recessed sill installations.



Integrated flyscreen sill for multi-stacking applications.



Will accept glass up to 20mm – shown above with adaptors to accept wide IGUs.

**GENERAL**

**Max Panel Height\***  
2650mm

**Max Panel Width\***  
1350mm

**Max Glass Thickness**  
20mm

**Frame Depth**  
108.6mm

**ENERGY**

**UW Range**  
3.0-6.2

**SHGC Range**  
0.28-0.72

**WEATHER**

**Maximum Water**  
300 Pa. Sump Sill

450 Pa. Sump Sill in sub-sill

**ACOUSTICS**

This product has not been acoustics tested. AWS anticipates this product's acoustic performance will be in-line with Series 541.



[vantagealuminium.com.au/542](http://vantagealuminium.com.au/542)

\*Dimensions subject to individual site conditions.

BAL-40 compliance may limit glass options. Maximum glass size for BAL-40 products is 4.5m<sup>2</sup>.

